

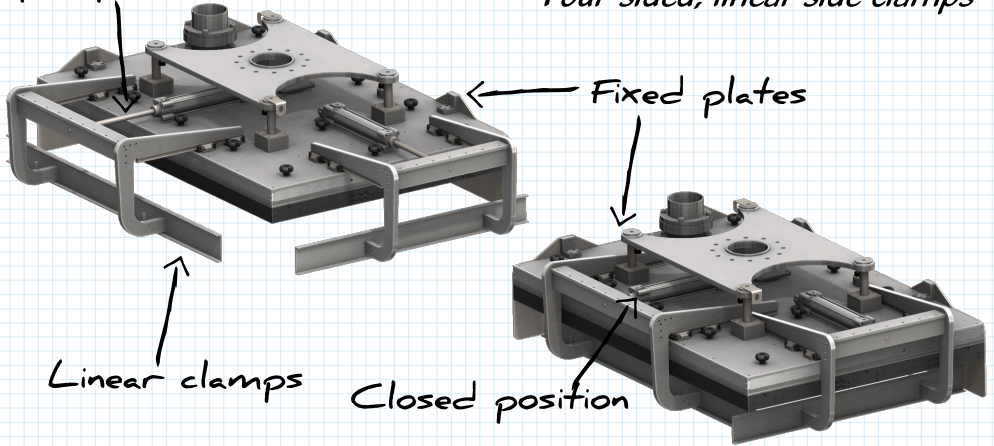


Side Clamps

Side clamps can be used both for clamping in order to give additional security to the UniGripper by clamping the products or in order to stabilize the products in case that excessive lateral acceleration is needed. The main difference in the side clamps is the way they are set up, meaning that they can be fold down or linear. There are versions which clamp only on one side, two sides, against fixed plates or linear from all four sides. Each product and application requires an analysis to see which of our solutions suits best.

Open position

Four-sided, linear side clamps



Two-sided, rotational side clamps

